

JVA Power and Signal Line Surge Protector

PTE0341

PAE341 (PCB only)

Overview:

The JVA Power and Signal Line Surge Protector is the must have device when installing single zone Z-Series Energizers in lightning prone areas. It provides protection for the energizer on the keypad bus, I/O, and AC input. This ensures that a lightning strike on, or near the cabling, is safely diverted to Earth. Its two stage protection can withstand a lightning surge of up to 250 Amps.

Features:

- 16VAC, Keypad bus, input, Keypad bus, and Siren/Strobe output protection
- Affordable sacrificial security component
- Provides a highly visible indication of a lightning surge
- Works with single zone JVA Z-Series Energizers

Specifications:

Protection Level		250A surge[1]
Size	Height: Width: Depth:	135 mm 128 mm 40 mm
Weight	Product: Packed:	150 g 200 g



Package Contents:

- PAE341 (Voltage and Signal Line Surge protector PCB)
- PTE0341 Enclosure (non-sealed)

Warranty:

1 Year Manufacturer Warranty (excluding lightning damage)

For more information:

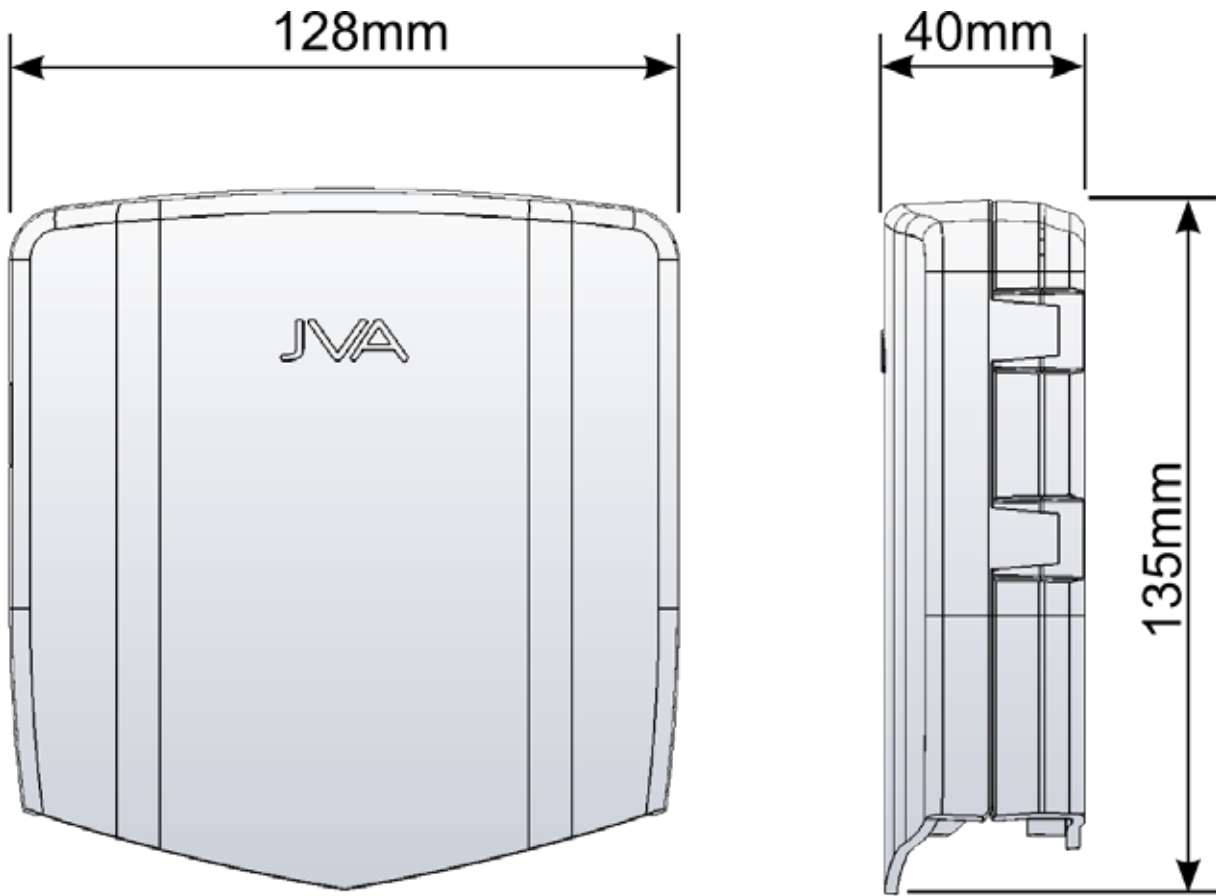
See the website at: <https://www.jva-fence.com.au/>

[1]Based on internal component specifications





Dimensions:



Connections:

